



# L10/LP Ultrablade PRO LED Exit Ultrablade Pro Adapter Plate– Special/Supplement Instruction

## Installation Instructions

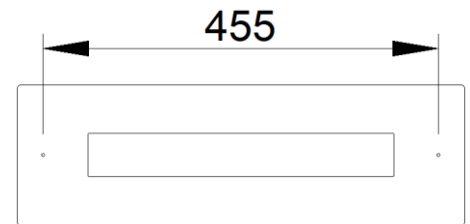
Multipurpose adaptor plate to be used when installing an Ultrablade PRO to replace a non-Clevertronics Blade style EXIT. Suitable for hole cut-outs up to 430mmx140mm.



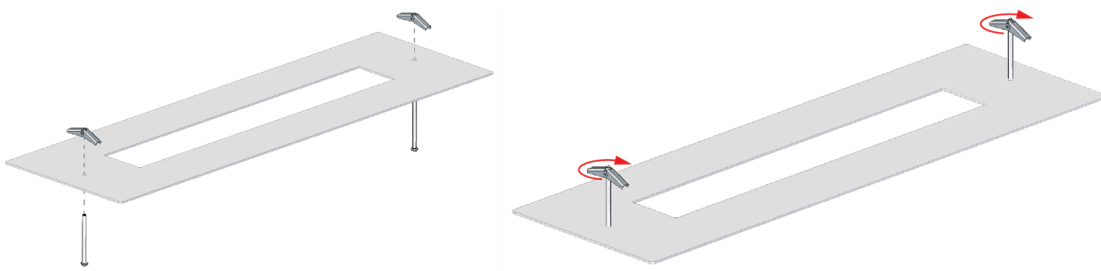
1. Spring Toggle Screw
2. Ceiling Tile
3. Ultrablade PRO Adaptor Plate
4. Ultrablade PRO

### Mounting Instructions

1. Mark & Drill 2 x 10mm holes into Ceiling Tile  
Note: Use Ultrablade PRO Adaptor plate to mark holes

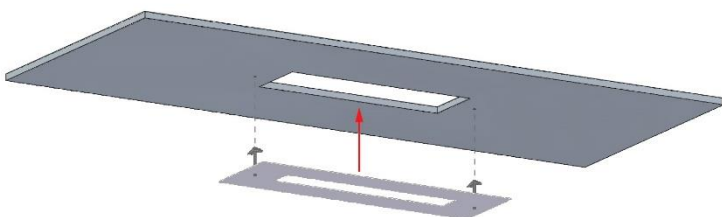


2. Attach Spring Toggle Screws to the Ultrablade Adaptor Plate

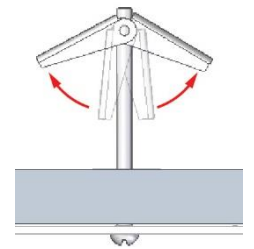


Tighten Spring Toggle until it has just threaded onto screw

3. Mount the Ultrablade Adaptor Plate to the Ceiling



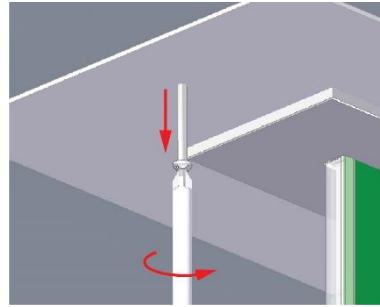
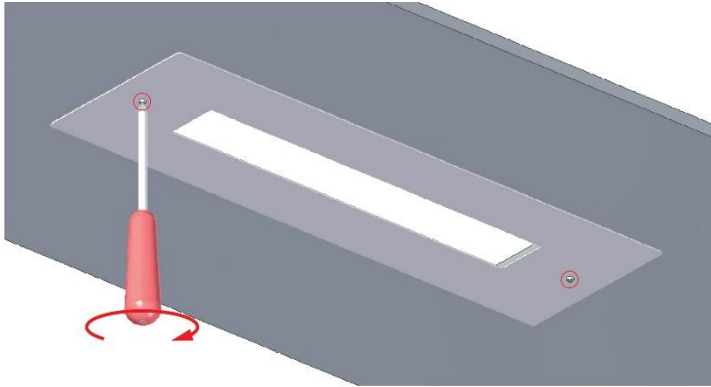
Compress Spring Toggle when inserting Adaptor Plate



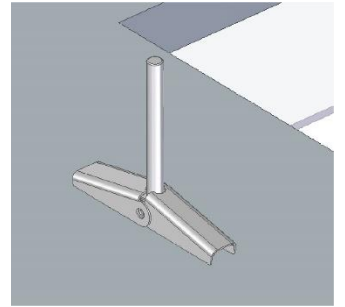
Spring Toggle will extend out once pushed through Ceiling Tile



#### 4. Tighten Spring Toggle Screws to secure Ultrablade Adaptor Plate



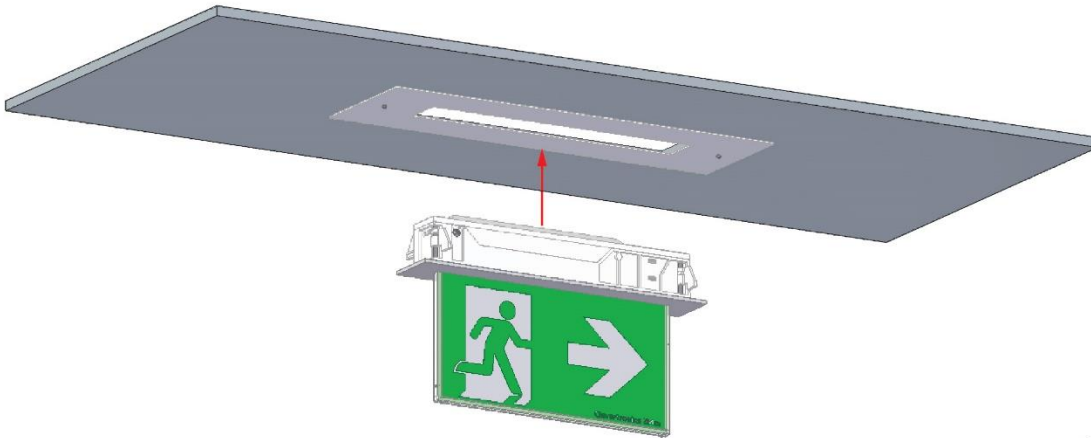
Pull down on screw whilst tightening to stop the Spring Toggle from spinning



Ensure Spring Toggle is firmly secure into Ceiling Tile

#### 5. Install Ultrablade PRO as per standard installation

Note: Refer to Ultrablade PRO Instruction Guide with product



--- END ---